



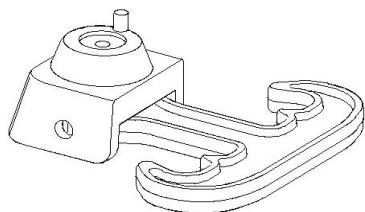
## GENUINE PARTS

### INSTALLATION INSTRUCTIONS

<b>DESCRIPTION:</b>	Shopping Bag Hook
<b>APPLICATION:</b>	Maxima
<b>PART NUMBER:</b>	999C2 J2003

**KIT CONTENTS:**

Item	Qty.	Part Description
A	2	Shopping Bag Hook
B	2	Phillips Head Screw #6-32 x 1"
C	2	Hex Head Screw #6-32 x 1"
D	2	Jack Nut #6-32
E	2	Jack Nut Friction Wrench
F	1	Installation Instruction Replacement Template



A



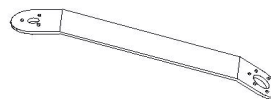
B



C



D



E



F

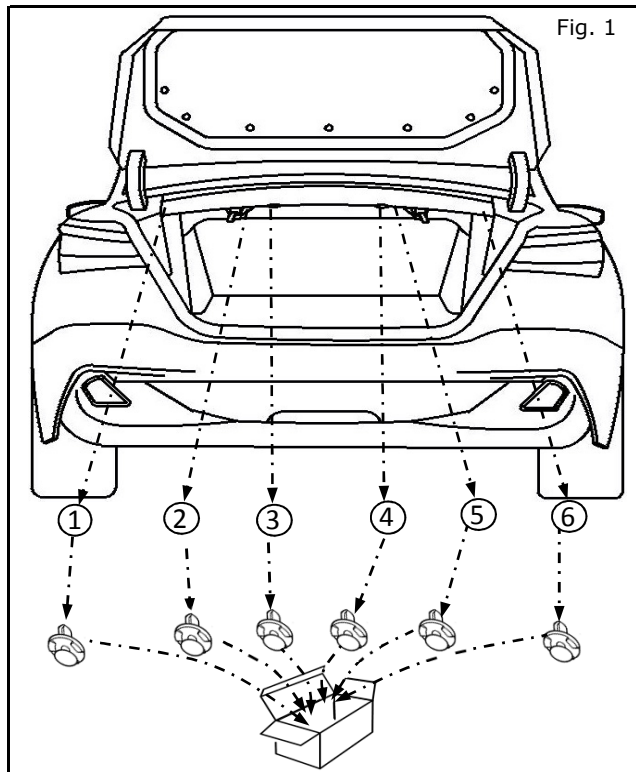
**TOOLS REQUIRED:**

- Phillips Screw Driver
- 1/4" Socket with Driver
- Flat Head Screw Driver
- Drop Cloth
- 3/16" & 21/64" HSS drill bits
- Cordless Drill
- Center Punch
- Hammer
- Scissors
- Tape
- Pen/Marker
- Utility Knife
- Front/Backside Hand Deburring Tool

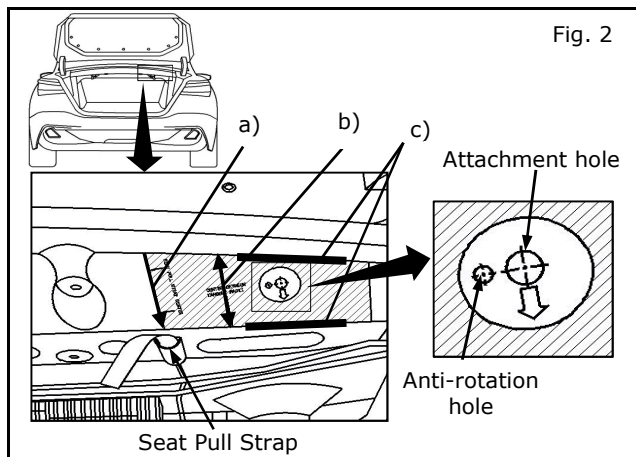
### **⚠ WARNING**

- Each Shopping Bag Hook is designed to transport normal cargo contents. Flammable or dangerous materials should not be transported in your vehicle at any time.
- Do not exceed the recommended load of 15 lbs per Shopping Bag Hook.
- Do not use pilot point drill bits during installation process. These drill bits can leave large burrs and cause enlarged holes. Use HSS drill bits made for drilling steel only.

## INSTALLATION PROCEDURE:

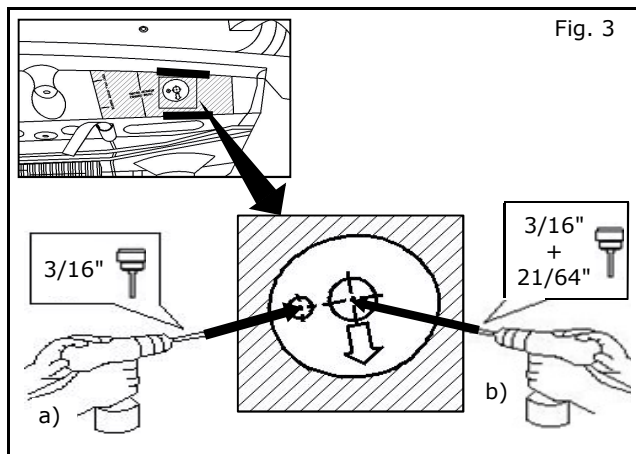


- 1) Remove (6) push pins from package shelf using a flat head screw driver and save to reuse.
- 2) Remove trunk trim and save for reuse.
- 3) Go to Page 6, make sure both sheet metal drill templates are printed to scale and cut out Passenger side drill template.
- 4) Place drop cloth in trunk to catch metal shavings.



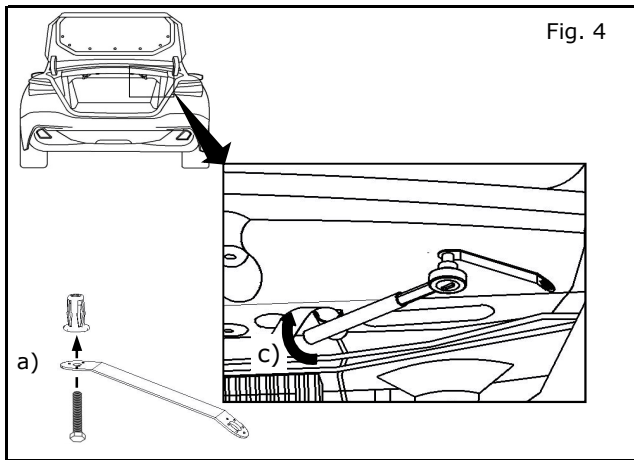
- 5) Align Sheet Metal Drill Template (Passenger Side).
  - a) Align inner edge of template with center of seat pull strap.
  - b) Align edges of drill template with edges of sheet metal. Center between tangent radii.
  - c) Tape template to sheet metal.
  - d) Mark center of attachment hole and anti-rotation hole with center punch/hammer.

**Note: Do not use pilot point drill bits. Use HSS bits for drilling steel only.**



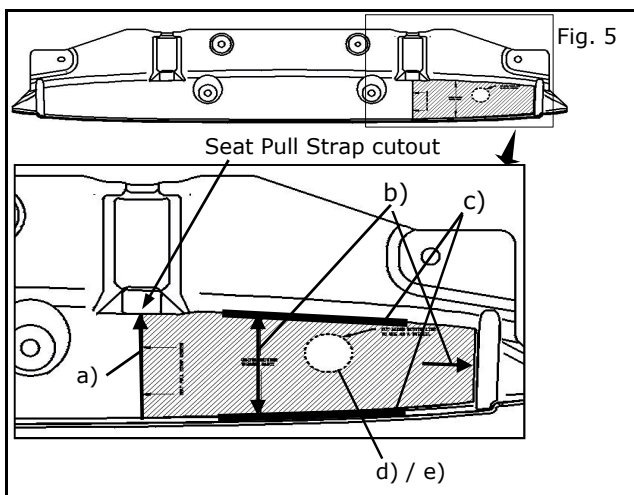
- 6) Drill anti-rotation and attachment holes.
  - a) Using a 3/16" drill bit, drill anti-rotation hole.
  - b) Using a 3/16" drill bit, pre-drill attachment hole then re-drill using a 21/64" drill bit.
- 7) Remove template and remove any burrs around both holes using hand deburring tool.
- 8) Remove metal shavings from trunk floor.

## INSTALLATION PROCEDURE:



- 9) Attach Jack Nut to package shelf.
  - a) Feed hex head screw through small hole in jack nut friction wrench and thread (hand tight) into jack nut.
  - b) Insert jack nut/screw assembly into attachment hole, keeping jack nut firmly pressed against sheet metal.
  - c) Use 1/4" socket/driver and tighten hex head screw in until jack nut is fully collapsed.
  - d) Remove hex head screw from jack nut and discard.

10) Repeat steps 3) to 9) for Driver side.



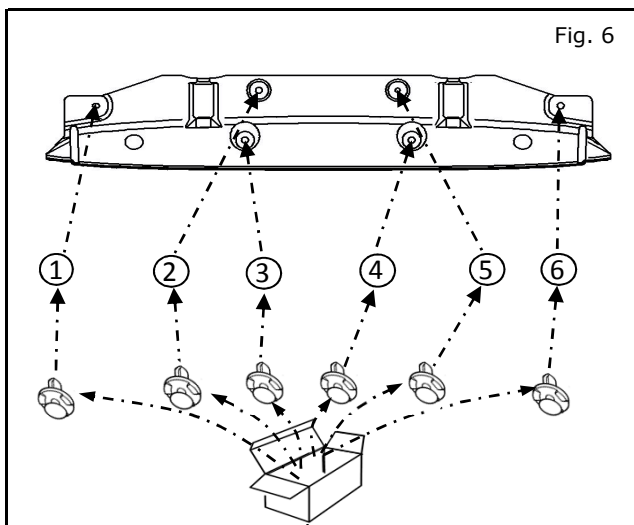
11) Go to Page 8, make sure both trunk trim cut templates are printed to scale and cut out Passenger side trunk trim template.

12) Place vehicle trunk trim from step 2) on a clean flat surface with trim backside facing up.

13) Align Passenger Side Trunk Trim Template.

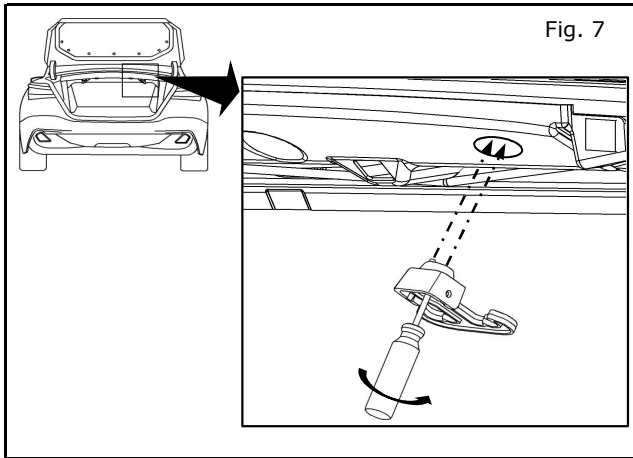
- a) Align inner edge of template with center of seat pull strap cutout and flush to edge of cutout.
- b) Align edges of trunk trim template with edges of trunk trim. Center between tangent radii.
- c) Tape template to soft trim.
- d) Using a pen or marker, trace along dotted circle. Ensure that traced line is legible on trunk trim.
- e) Using a knife, carefully trim along traced line.

14) Repeat steps 11) to 13) for Driver side.



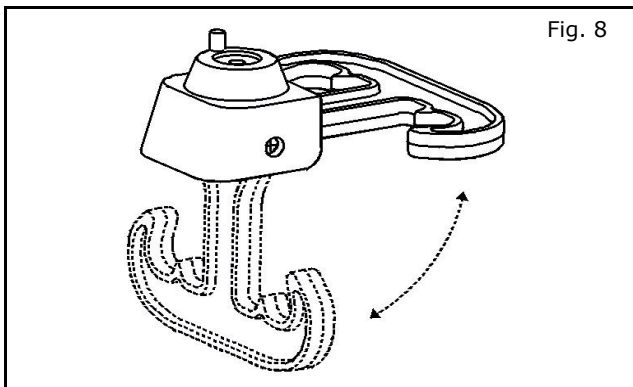
15) Place trunk trim back in vehicle, attaching all (6) push pins in their original locations (see Fig. 6).

## INSTALLATION PROCEDURE:

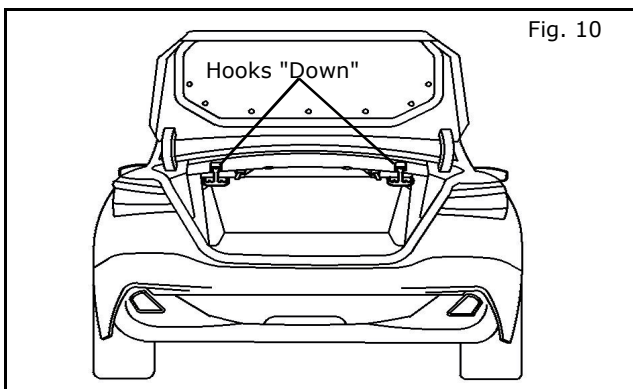
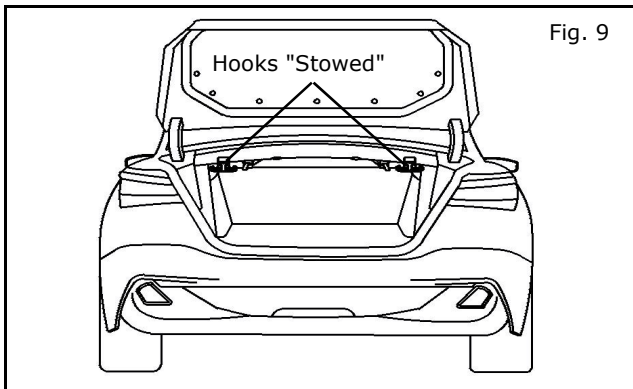


16) Attach Shopping Bag Hooks to Package Shelf.

- a) Starting with Passenger side, with shopping bag hook in stowed position, insert phillips screw, align with jack nut and anti-rotation hole and fully tighten.
- b) Repeat for Driver side.

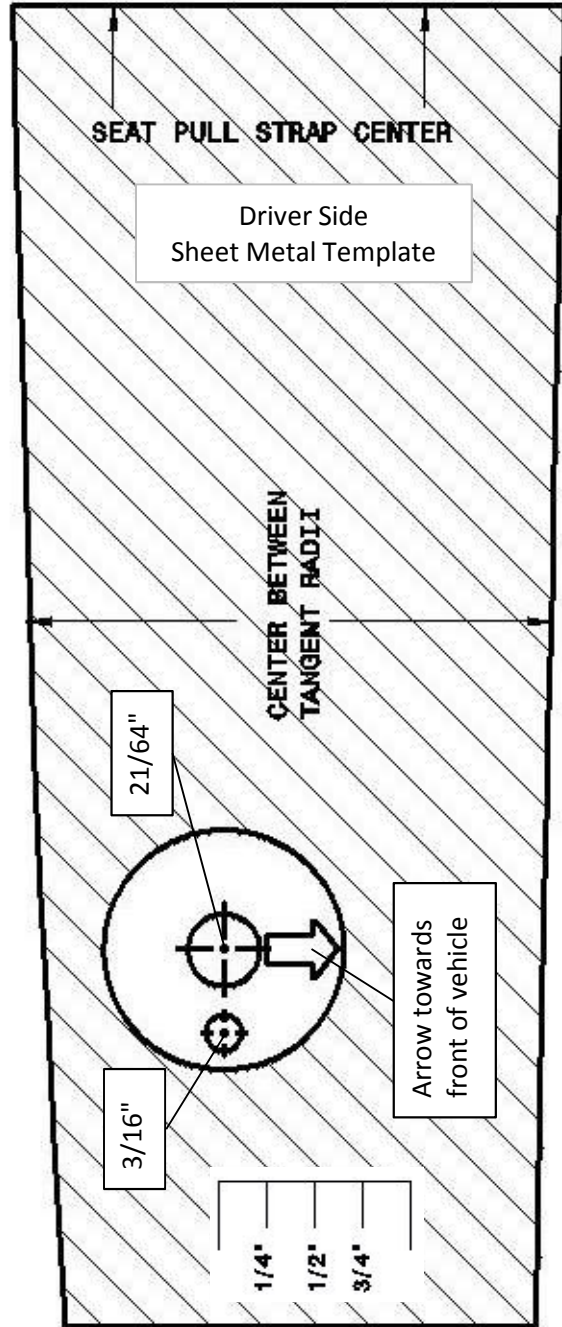
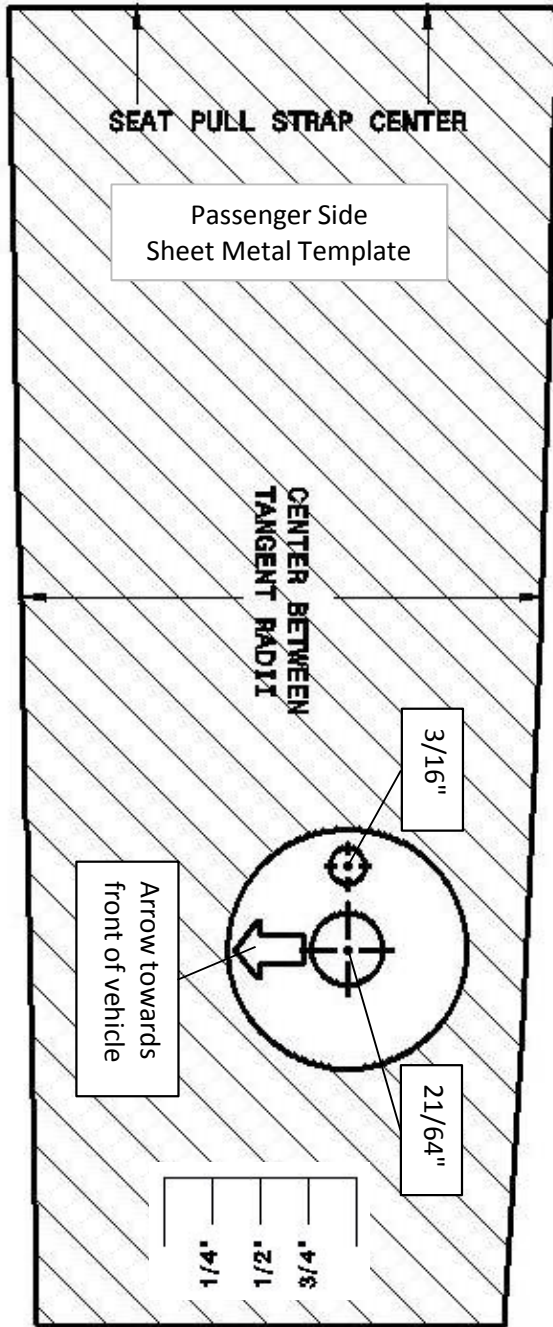


17) Shopping Bag Hook use: Move shopping bag hooks into either "stowed" position (Fig. 9) or "down" position (Fig. 10). When not in use, place shopping bag hooks in "stowed" position.



**INTENTIONALLY LEFT BLANK**

**SHEET METAL DRILL TEMPLATES:**



**INTENTIONALLY LEFT BLANK**

**TRUNK TRIM TEMPLATES:**

